

MISCELLANEOUS

HALF BRICK WALLS

- 75. HALF BRICK WALL SHALL BE REINFORCED WITH 2 NOS 6 MM DIA MS BARS LAID HORIZONTALLY AT EVERY FOURTH COURSE OF BRICK WORK UP TO OUTER TO OUTER OF CROSS WALLS.
- 76. HALF BRICK WALLS WHEREVER SHOWN ON PLAN SHALL BE PROVIDED WITH THE HORIZONTAL BAND OF SIZE, WIDTH OF WALL X 100 MM WITH 2 NOS. 8 MM # STEEL BARS EACH AT TOP AND BOTTOM AND 6 MM STIRRUPS AT SPACING OF 150 MM C/C AT 2000 MM ABOVE FFL OR AT DOOR HEIGHT IN EACH FLOOR. THE BAND REINFORCEMENT SHALL BE SUITABLY ANCHORED IN CROSS WALLS , LINTELS , BEAMS OR COLUMN FOR ITS FULL DEVELOPMENT LENGTH IN TENSION.
- 77. HALF BRICK WALLS WITH LENGTH EXCEEDING 3000 MM AND NOT EXCEEDING 6000 MM ON PLAN WITHOUT CROSS WALLS SHALL BE PROVIDED WITH RCC VERTICAL BAND OF SIZE , WALLS WIDTH X 115 MM AT MIDDLE OF LENGTH OF WALL WITH VERTICAL REINFORCEMENT WITH 4 #8 MM STEEL BARS AND 6 MM MS LINKS SPACED AT 150 MM C/C. IF THE LENGTH OF HALF BRICK WALLS EXCEED 6000 MM, THESE BANDS SHALL BE PROVIDED AT SPACING NOT EXCEEDING 3000 MM INTERVAL. NO FOUNDATION NEEDS TO BE PROVIDED. REINFORCEMENT SHALL BE ANCHORED INTO SLAB / BEAM / SUB BASE AS APPLICABLE FOR ITS FULL DEVELOPMENT LENGTH IN TENSION. (REF. FIG.-14.)

R.C.C. BED BLOCKS

- 78. R.C.C. BEAMS RESTING ON WALLS SHALL BE PROVIDED WITH P.C.C.(1:2:4) BED BLOCK OF SIZE (WIDTH OF BEAM + 400) X WALL THICKNESS X 200 mm THICKNESS UNLESS OTHERWISE SPECIFIED.
- 79. R.C.C. BEAMS RESTING ON MASONRY PILLARS SHALL BE PROVIDED WITH P.C.C. (1:2:4) BED BLOCK OF SIZE OF THE PILLAR X 200 mm THICK UNLESS OTHERWISE SPECIFIED.
- 80. FOR DETAILS OF R.C.C. SHELVELS FOR DOMESTIC PURPOSE, WORKING BENCH ,DESERT COOLER SLAB, SPOUT & SUNKEN FLOOR (REF FIG.-29,29A,30,31,32,33,34 & 35)

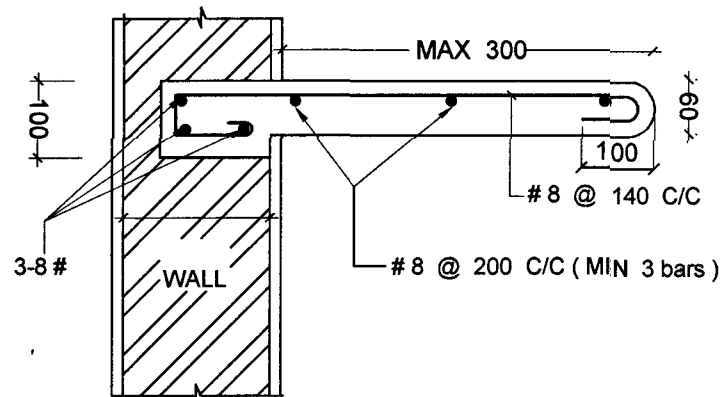


FIG.-29: TYPICAL DETAIL OF RCC SHELIVING UPTO 300 MM WIDE

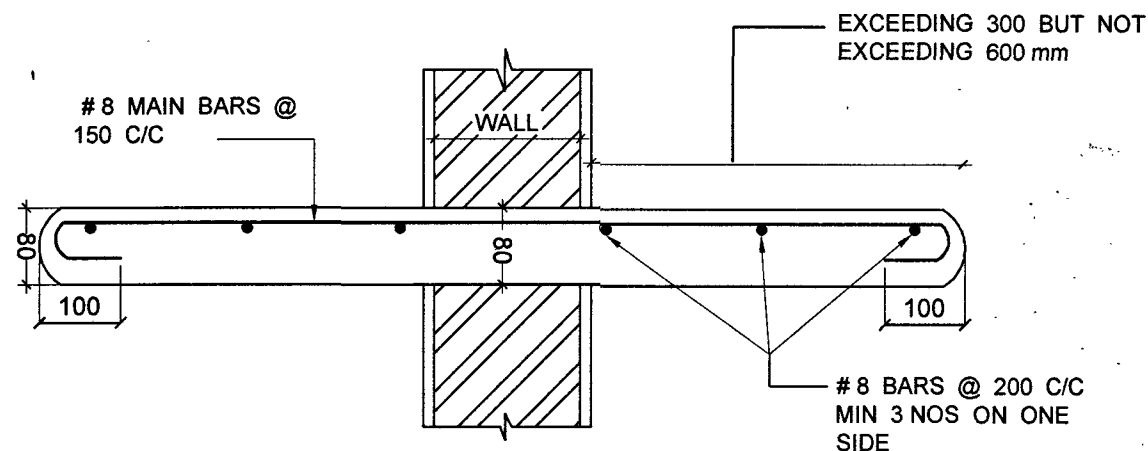


FIG.-30: TYPICAL DETAIL OF RCC SHELIVING BOTH SIDES

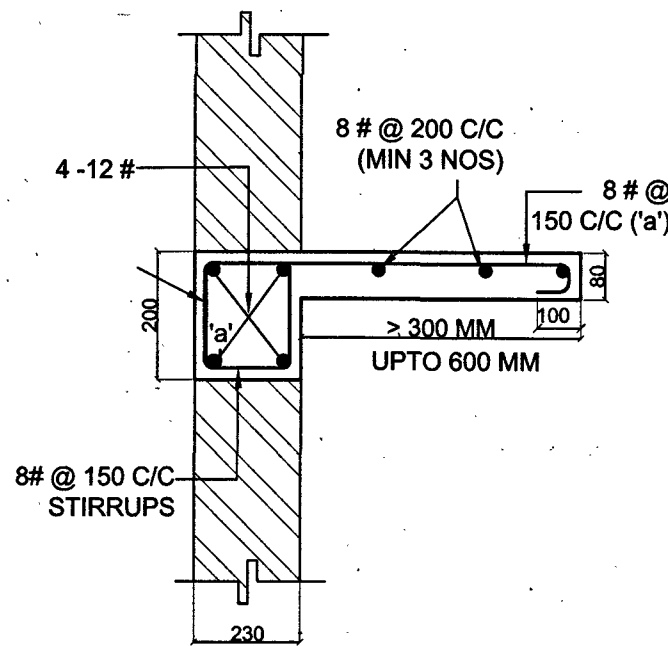


FIG.-29A: TYPICAL SEC OF RCC SHELF EXCEEDING 300, UPTO 600 MM WIDE

SNO.	DATE	DESCRIPTION	DY.DIR	DIR(DES)

REVISIONS

DATE	DRN	TCD	CKD	SCALE	SHT SIZE	DESCRIPTION
30 MAY 2024	POOJA T			AS SHOWN	A3	CHIEF ENGINEER JALANDHAR ZONE

Brunson
A.D (DESIGN)

DRG. NO.	SHEET NO.
	18/34
DIR (DESIGN) FOR CHIEF ENGINEER	
DRG NO CEJZ / STD- 422/24	

A B C D E F